



## Ice Cream Freezer

## IC155D



Item number	23424310000IC155D	Taric goods code	8418501190
EAN code	5704704019515	QTY in 40HQ	169

### Short Description

Ice cream freezers are ideal both in grocery stores, kiosks, gas stations, hotels, restaurants, etc. and secure with their glass door, a good presentation of the freezer's contents.

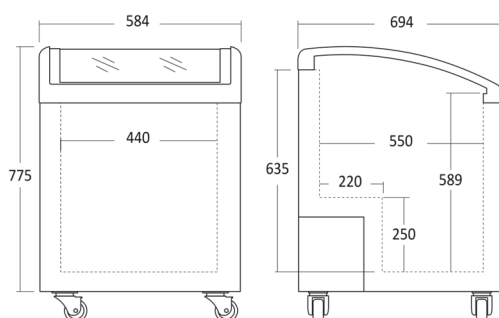
The IC155D holds 94 ltr. freezing capacity;

They also come with lightweight sliding lids and are therefore suitable for self-service, which provides a good opportunity to place the cabinet strategically to create focus and additional sales.

### Key features

- Curved sliding glass lids
- 2 strong wire baskets including 2 dividers in each
- 4 strong castors
- Suitable for branding
- Light sign sold separately
- Coated white steel inner liner

### Measurement Drawings



### Dimensions and weight

Product dimensions, HxWxD, mm	850 x 584 x 694
Product depth w/handle, mm	694
Packaging dimensions, HxWxD, mm	895 x 625 x 770
Total packaging volume m3	0,431
Gross volume, L	137
Net volume, L	94
Gross- / Net volume, L	137 / 94
Internal dimensions, HxWxD, mm	590 x 440 x 550
Gross- / Net weight, kg	53 / 48

### Performance and consumption

Energy efficiency class	D
Daily Energy Consumption, kWh/24	1,21
Annual energy cons. kWh/a	440
Energy Efficiency Index (EEI)	41,13
Noise level, dB(A)	70
Refrigeration / freezing technique	Static
Climate class	7
Temperature class	C1
Type of refrigerant / gas gr.	R290a / 60
Bulb Watt, W	None
Temperature range °C	-18 / -24

### Installation and power

Voltage / hertz, V/hz	230 / 50
Peak power watt, W	230
Watt / Ampere, W/A	200 / 1.5
Length of Powercord, cm	200

### Design and comfort

Controller	Mechanical
Control panel	Outside
Digital display	No
Canopy light sign	No - available as spare part
Internal light	No light
External thermometer	Yes
Door- / lid type	Sliding
Handle	Integrated
Number of castors, pcs	4 castors (2 w/brake)
Lock & Key	Yes

### Colour and material

Outside colour	White
Inside Colour	White
Colour and material of door/lid	Sliding glass

### Features

Number of baskets, pcs	2
Basket Size (HxWxD) (mm)	Yes
Max loading per shelf/basket, kg	15

# scandomestic

Scandomestic A/S . Linåvej 20 . DK-8600 Silkeborg . Tel.: +45 7242 5571 . www.scandomestic.dk