



## Supermarket Freezer

## SIF900D



|             |                    |                  |            |
|-------------|--------------------|------------------|------------|
| Item number | 23424410000SIF900D | Taric goods code | 8418501190 |
| EAN code    | 5704704019669      | QTY in 40HQ      | 24         |

### Short Description

Supermarket freezers are ideal both in grocery stores, kiosks, gas stations, etc. and secure with their glass door, a good presentation of the contents of the freezer. SIF900D holds 690 ltr. net freezing capacity

Freezing temperature range from -15 to -24°C  
Cooling function temperature range from +2 to +7°C

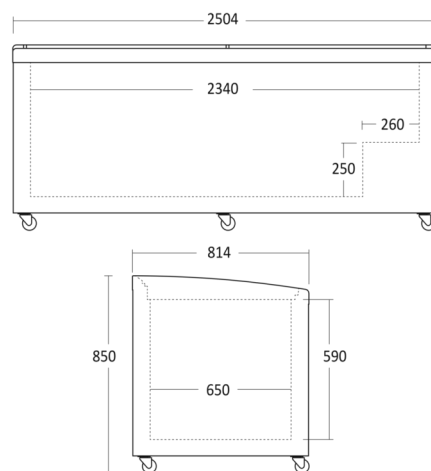
The freezer also comes with light sliding lids and is therefore suitable for self-service, which provides a good opportunity to place the freezer strategically to create focus and additional sales.

Use model SIF600C if an end model for island solution is needed

### Key features

- Large curved sliding glass lids with strong aluminum handles
- Dual function - freezer can be converted to cooling 2-7°C
- 10 strong wire baskets and coated white steel inner liner
- LED light inside
- 6 strong castors
- Bumper bar
- Digital thermometer
- Use model SIF600C if end model needed for island solution

### Measurement Drawings



### Dimensions and weight

|                                 |                  |
|---------------------------------|------------------|
| Product dimensions, HxWxD, mm   | 850 x 2504 x 814 |
| Product depth w/handle, mm      | 814              |
| Packaging dimensions, HxWxD, mm | 895 x 2580 x 880 |
| Total packaging volume m3       | 2,032            |
| Gross volume, L                 | 900              |
| Net volume, L                   | 690              |
| Gross- / Net volume, L          | 900 / 690        |
| Internal dimensions, HxWxD, mm  | 590 x 2340 x 650 |
| Gross- / Net weight, kg         | 160 / 140        |

### Performance and consumption

|                                    |             |
|------------------------------------|-------------|
| Energy efficiency class            | D           |
| Daily Energy Consumption, kWh/24   | 7,67        |
| Annual energy cons. kWh/a          | 2800        |
| Energy Efficiency Index (EEI)      | 38,3        |
| Noise level, dB(A)                 | 70          |
| Refrigeration / freezing technique | Static      |
| Climate class                      | 4           |
| Temperature class                  | L1          |
| Type of refrigerant / gas gr.      | R290a / 145 |
| Temperature range °C               | -15 / -24   |

### Installation and power

|                         |           |
|-------------------------|-----------|
| Voltage / hertz, V/hz   | 230 / 50  |
| Peak power watt, W      | 480       |
| Watt / Ampere, W/A      | 400 / 2.5 |
| Length of Powercord, cm | 200       |

### Design and comfort

|                        |                       |
|------------------------|-----------------------|
| Controller             | Digital               |
| Control panel          | Outside               |
| Digital display        | Yes                   |
| Internal light         | Horizontal LED        |
| External thermometer   | Yes                   |
| Door- / lid type       | Sliding               |
| Handle                 | Outside               |
| Number of castors, pcs | 6 castors (2 w/brake) |
| Lock & Key             | No                    |

### Colour and material

|                                 |               |
|---------------------------------|---------------|
| Outside colour                  | Dark Grey     |
| Inside Colour                   | White         |
| Colour and material of door/lid | Sliding glass |

### Features

|                                  |    |
|----------------------------------|----|
| Number of baskets, pcs           | 10 |
| Max loading per shelf/basket, kg | 20 |

# scandomestic

Scandomestic A/S . Linåvej 20 . DK-8600 Silkeborg . Tel.: +45 7242 5571 . www.scandomestic.dk